

# Xylem |'zīlēm|

- 1) The tissue in plants that brings water upward from the roots;
- 2) a leading global water technology company.

We're 12,500 people unified in a common purpose: creating innovative solutions to meet our world's water needs. Developing new technologies that will improve the way water is used, conserved, and re-used in the future is central to our work. We move, treat, analyze, and return water to the environment, and we help people use water efficiently, in their homes, buildings, factories and farms. In more than 150 countries, we have strong, long-standing relationships with customers who know us for our powerful combination of leading product brands and applications expertise, backed by a legacy of innovation.

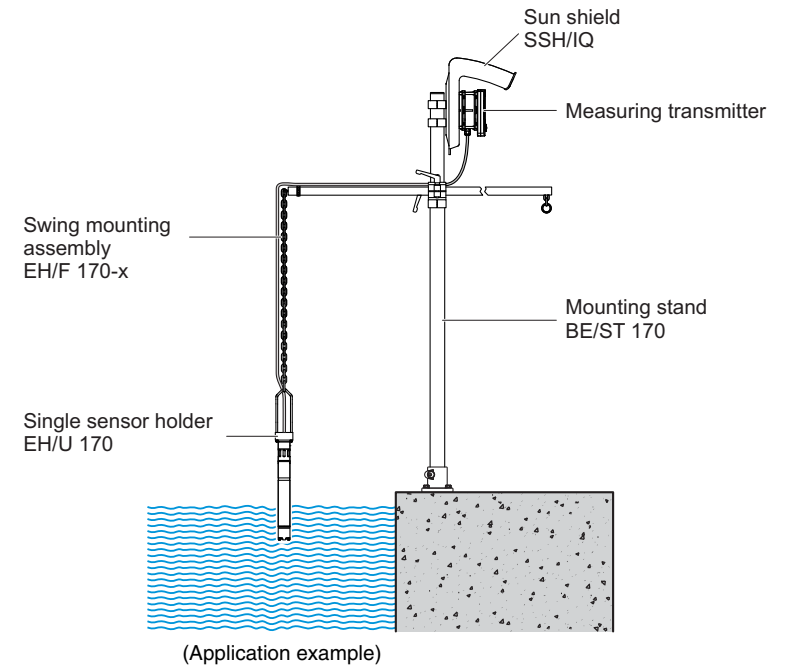
For more information on how Xylem can help you, go to [www.xyleninc.com](http://www.xyleninc.com)



a xylem brand

## Installation instructions

### BE/ST 170



Vario floor mounting stand

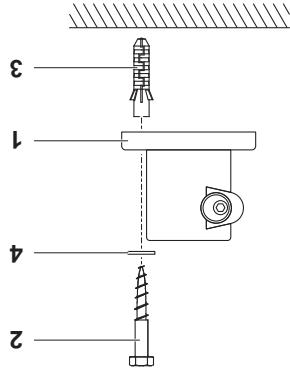


a xylem brand

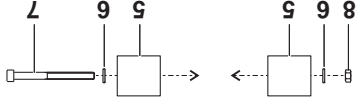
YSI  
1725 Brannum Lane  
Yellow Springs, OH 45387  
Tel: +1 937-767-7241; 800-765-4974  
Fax: +1 937-767-1058  
Email: [environmental@ysi.com](mailto:environmental@ysi.com)  
Web: [www.ysi.com](http://www.ysi.com)

©Xylem Inc

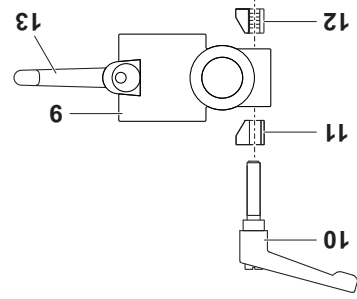
### Mounting



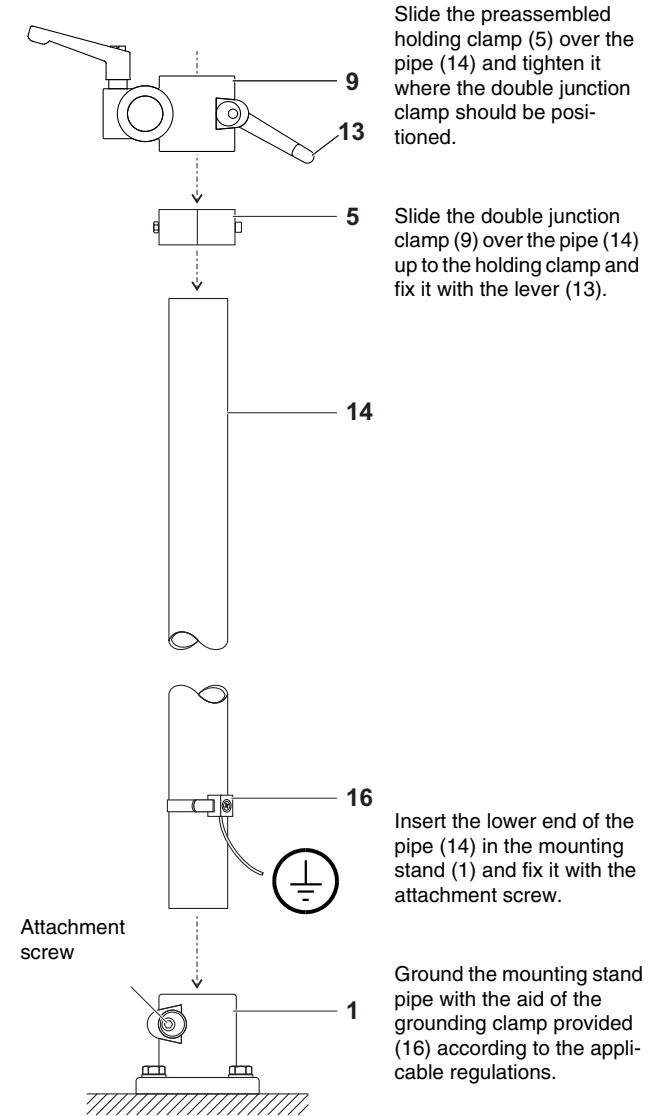
Mount the base (1) on the ground.

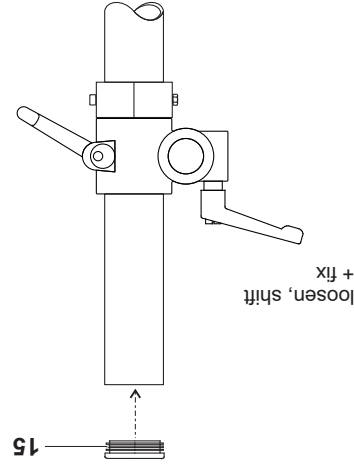


Loosely screw together the two clamp bodies (5) to form a holding clamp according to the drawing.

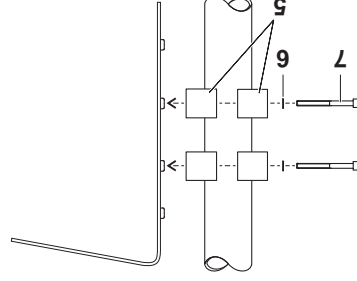


Preassemble the double junction clamp (9) according to the drawing (already done by the manufacturer).  
 Note: For the installation of additional EH/F 170-x swing mounting assemblies, additional double junction clamps (separately available as MS/KK 170, order-no. 109290Y) may be installed.





Close the upper end of the pipe with the lamellar plug (15).  
To adjust the orientation of the lever, pull the lever, then turn and release.



Mount the sun shield on the pipe using the two remaining clamps (5).  
(The sun shield is not included in the scope of delivery.)

**Note on function:**  
Open the clamping lever only up to the point where the trigger can be moved. If the clamping lever is unscrewed completely the nut can get lost!

**Technical data**

<b>Dimensions</b>	Total height	1700 mm
	Pipe diameter	50 mm

<b>Pos.</b>	<b>Designation</b>	<b>Material</b>	<b>Materials</b>	
			<b>Pos.</b>	<b>Designation</b>
1	Base	Cast aluminum	11	Wedge without thread
2	Wood screw Ø 10 x 70	Stainless steel 1.4301 (V2A)	12	Wedge with thread
3	Dowel, size 12	Polypropylene	13	Clamping lever M8 x 50
4	Washer 10,5	Stainless steel 1.4301 (V2A)	14	Pipe
5	Clamp body	Polypropylene	15	Lamellar plug
6	Washer 5,3	Stainless steel 1.4301 (V2A)	16	Grounding clamp
7	Hexagon socket head cap screw M5 x 60	Stainless steel 1.4301 (V2A)		
8	Nut M5	Stainless steel 1.4301 (V2A)		
9	Double junction clamp body	Cast aluminum		
10	Clamping lever M8 x 40	Plastic-coated zinc die cast, with stainless steel screw		
11	Wedge without thread	Stainless steel 1.4301 (V2A)		
12	Wedge with thread	Stainless steel 1.4301 (V2A)		
13	Clamping lever M8 x 50	Plastic-coated zinc die cast, with stainless steel screw		
14	Pipe	Stainless steel 1.4301 (V2A)		
15	Lamellar plug	Polyethylene (LD-PE)		
16	Grounding clamp	Bronze, tin-plated and steel, zinc-plated		